

F E D C B A

4

3

2

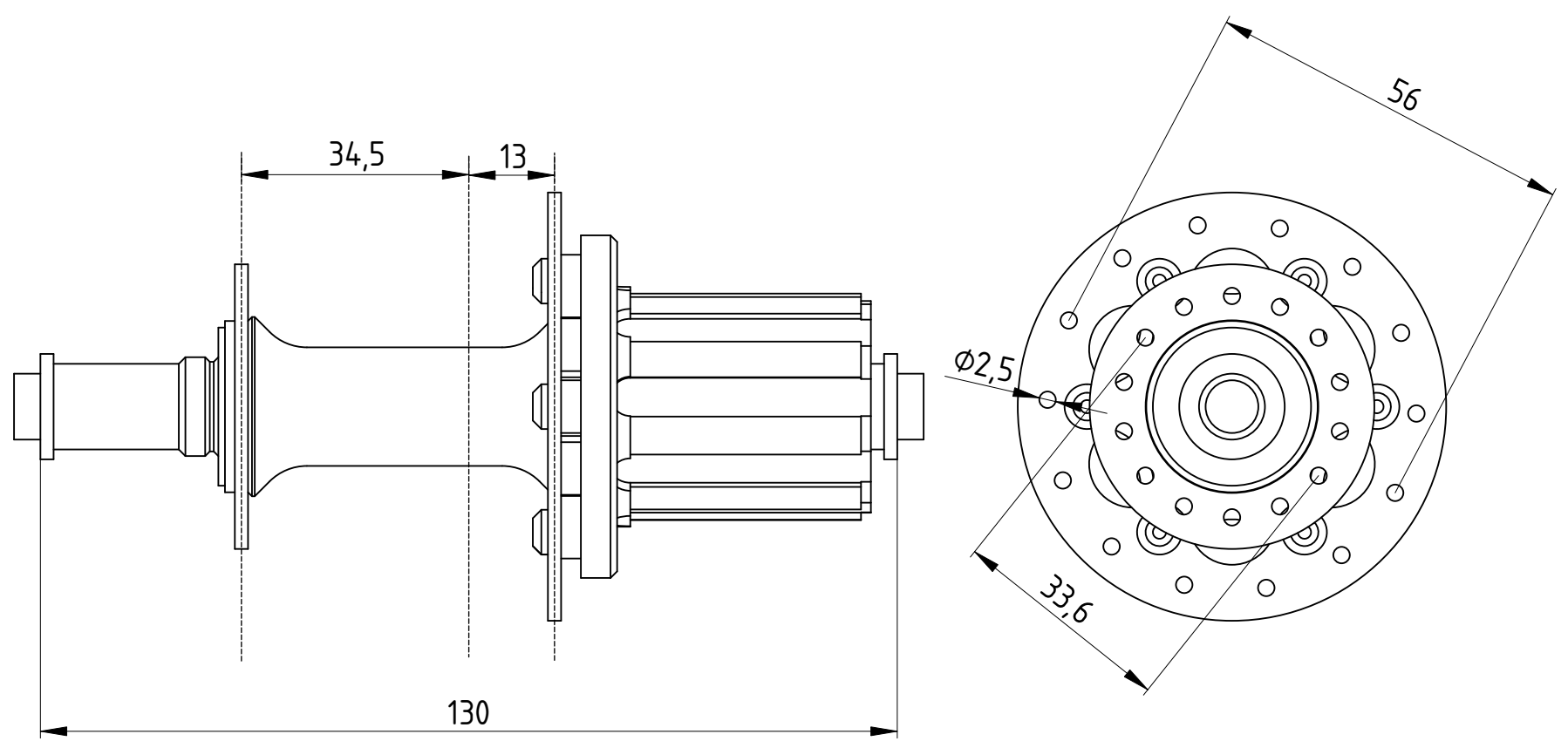
1


4

3

2

1



DESIGNED BY: Boulhol Aérocycles		Moyeu arrière à patins 28 trous		G	—
DATE: 11 déc. 2023		Série Spéciale		F	—
SIZE A4				E	—
				D	—
SCALE 1	WEIGHT (kg) 0.197	DRAWING NUMBER 1		C	—
		SHEET 1		B	—
This drawing is our property; it can't be reproduced or communicated without our written consent.				A	—

F E D