

F

E

D

C

B

A

4

4

3

3

2

2

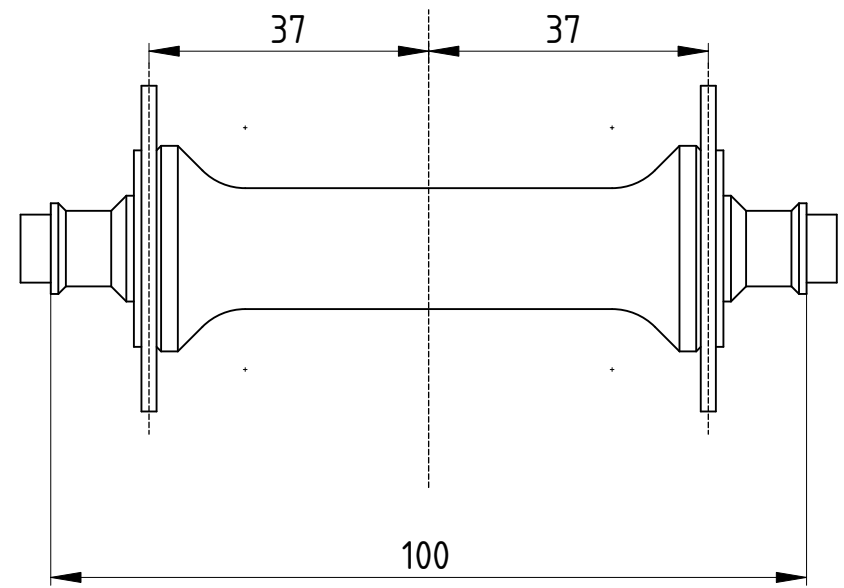
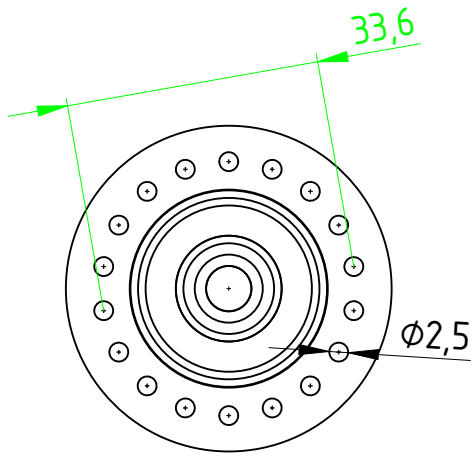
1


1

F

E

D



DESIGNED BY: Boulhol Aérocycles		Moyeu avant à patins 36 trous		G	—	
DATE: 11 décembre 2023		Série Spéciale		F	—	
SIZE A4				E	—	
SCALE 2				WEIGHT (kg) 0.051	DRAWING NUMBER 1	D
SCALE 2		WEIGHT (kg) 0.051	DRAWING NUMBER 1	SHEET 1	C	—
This drawing is our property; it can't be reproduced or communicated without our written consent.					B	—
					A	—