

F

E

D

C

B

A

4

4

3

3

2

2

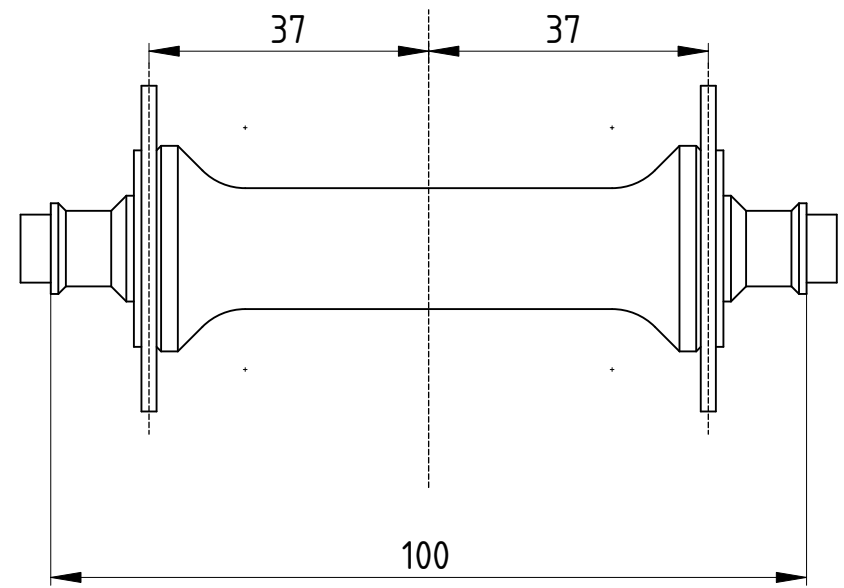
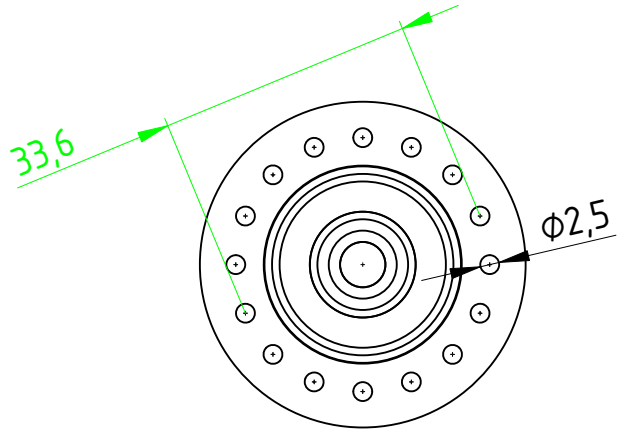
1

1

F

E

D



DESIGNED BY: <b>Boulhol Aérocycles</b>		<b>Moyeu avant à patins 32 trous</b>		G	—
DATE: <b>11 décembre 2023</b>		Série Spéciale		F	—
SIZE <b>A4</b>				E	—
SCALE <b>2</b>	WEIGHT (kg) <b>0.051</b>			DRAWING NUMBER <b>1</b>	SHEET <b>1</b>
This drawing is our property; it can't be reproduced or communicated without our written consent.				C	—
				B	—
				A	—