

F

E

D

C

B

A

4

4

3

3

2

2

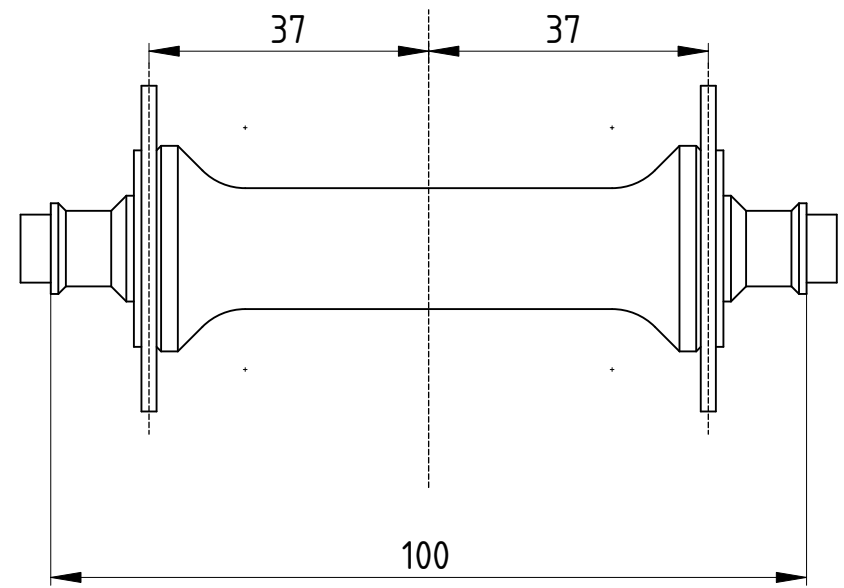
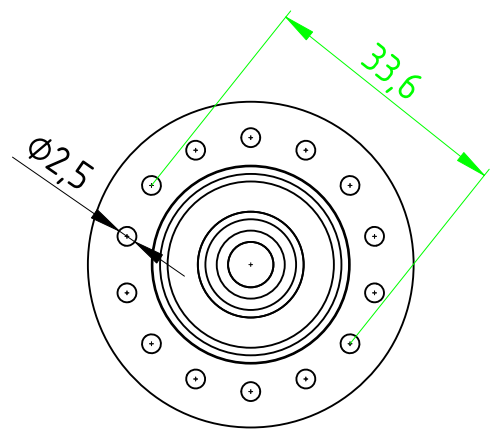
1


1

F

E

D



DESIGNED BY: Boulhol Aérocycles		Moyeu avant à patins 28 trous		G	—
DATE: 11 décembre 2023		Série Spéciale		F	—
SIZE A4				E	—
SCALE 2				D	—
WEIGHT (kg) 0.051	DRAWING NUMBER 1	SHEET 1	C	—	
This drawing is our property; it can't be reproduced or communicated without our written consent.			B	—	
			A	—	