

F

E

D

C

B

A

4

4

3

3

2

2

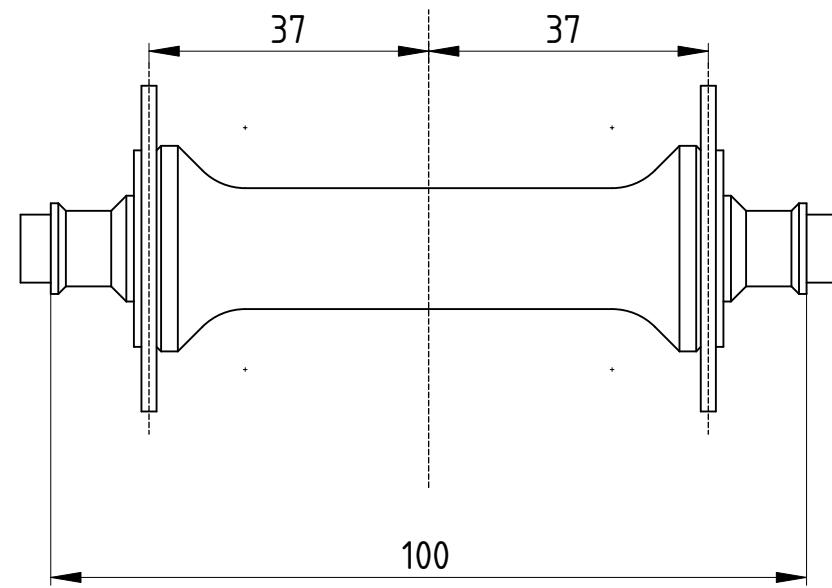
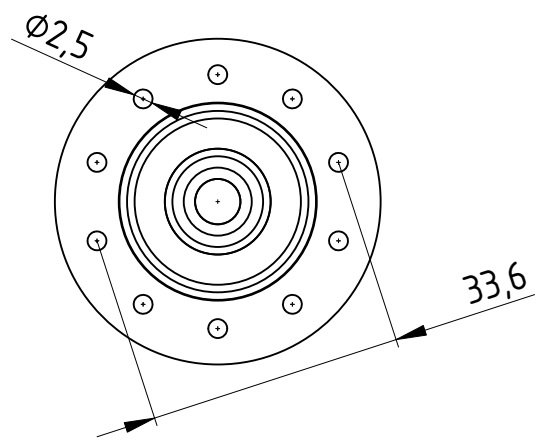
1


1

F

E

D



DESIGNED BY: Boulhol Aérocycles		Moyeu avant à patins 20 trous		G	—
DATE: 11 décembre 2023		Série Spéciale		F	—
SIZE A4				E	—
				D	—
SCALE 2	WEIGHT (kg) 0.051	DRAWING NUMBER 1	SHEET 1	C	—
This drawing is our property; it can't be reproduced or communicated without our written consent.				B	—
				A	—