

F E D C B A

4

3

2

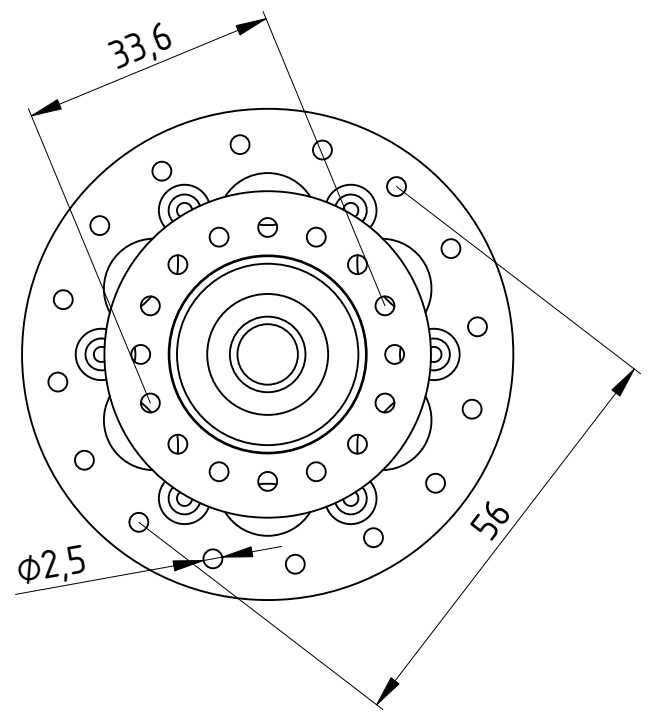
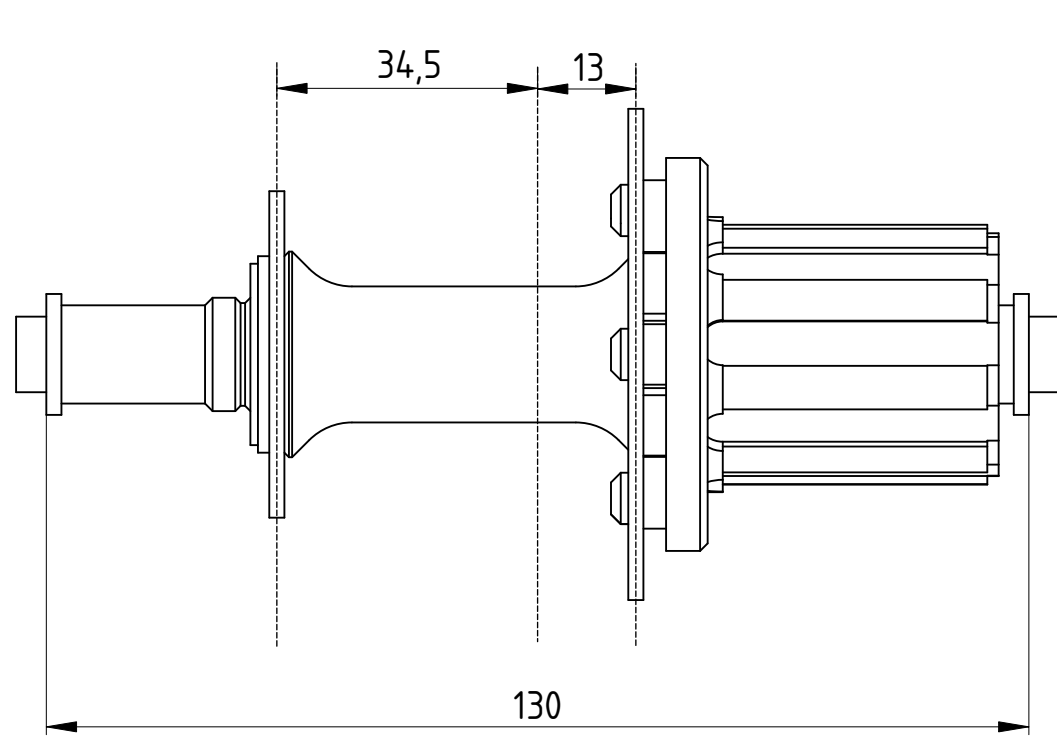
1


4

3

2

1



DESIGNED BY: Boulhol Aérocycles		Moyeu arrière à patins 32 trous		G	—
DATE: 11 déc. 2023		Série Spéciale		F	—
SIZE A4				E	—
SCALE 1				DRAWING NUMBER 1	
WEIGHT (kg) 0.197		SHEET 1		C	—
This drawing is our property; it can't be reproduced or communicated without our written consent.				B	—
				A	—

F E D